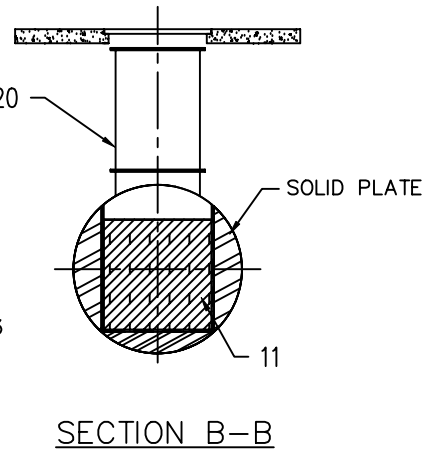
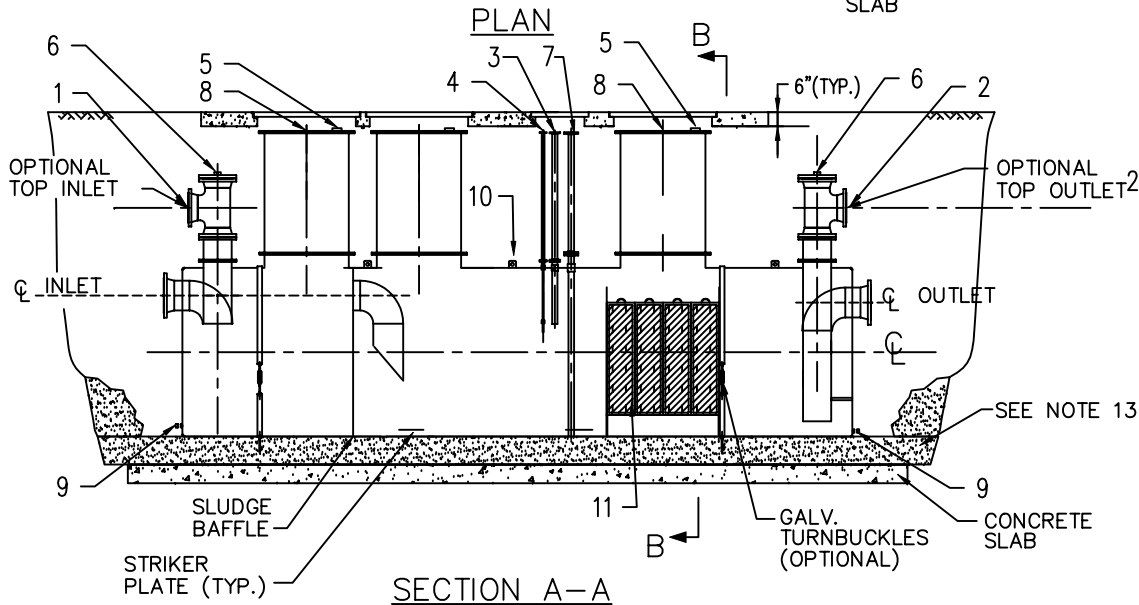
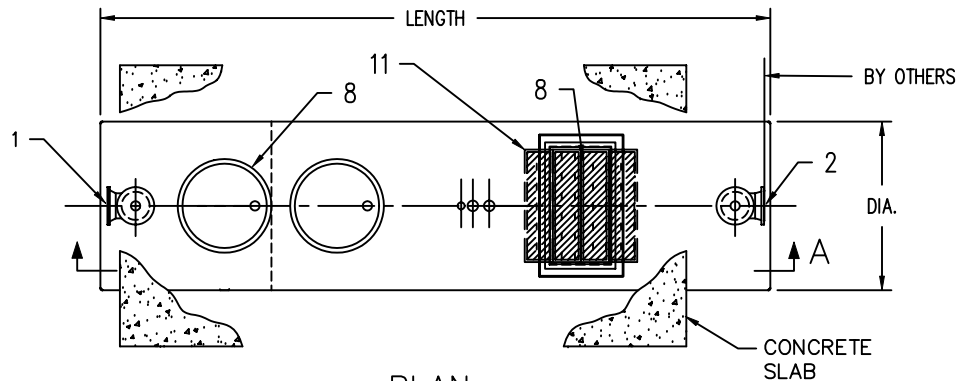


MODEL	DIA.	LENGTH	INLET	OUTLET	FLOW RATE gpm	TANK CAPACITY(GAL.)
HQBG342	3'-6"	9'-0"	4"	4"	30-60	350
HQBG548	4'-0"	10'-9"	4"	4"	55-110	550
HQBG1048	4'-0"	14'-0"	6"	6"	100-200	1000
HQBG2064	5'-4"	15'-0"	6"	6"	200-400	2000
HQBG3064	5'-4"	21'-4"	8"	8"	300-600	3000
HQBG4064	5'-4"	28'-8"	8"	8"	400-800	4000
HQBG5072	6'-0"	28'-8"	8"	8"	500-1000	5000
HQBG6072	6'-0"	34'-0"	10"	10"	600-1200	6000
HQBG7096	8'-0"	22'-0"	10"	10"	700-1400	7000
HQBG8096	8'-0"	24'-10"	10"	10"	800-1600	8000
HQBG9096	8'-0"	28'-8"	12"	12"	900-1800	9000
HQBG1096	8'-0"	32'-0"	12"	12"	1000-2000	10000
HQBG1296	8'-0"	38'-9"	12"	12"	1200-2400	12000
HQBG15120	10'-0"	32'-8"	14"	14"	1500-3000	15000
HQBG20120	10'-0"	38'-9"	18"	18"	2000-4000	20000

NOTES:

- OIL/WATER SEPARATOR TANK IS SINGLE/DOUBLE WALL STEEL, TYPE 1. CONSTRUCTED IN ACCORDANCE WITH UL 58 STANDARDS.
- EXTERIOR: CORROSION PROTECTION PER STI P3, FRP, OR POLYURETHANE.
- INTERIOR (OPTIONAL): CORROSION PROTECTION CARBOLINE 300M, OR URETHANE.
- VENT SIZING PER UL 58. ALL VENT PIPING IS BY OTHERS.
- ALL EXTERIOR PIPING IS BY OTHERS. HYDRO QUIP RECOMMENDS A MINIMUM SLOPE OF 1/16" PER FOOT FOR ALL GRAVITY PIPING.
- TANK ANCHORING CONSISTS OF () HOLD DOWN STRAPS EQUALLY SPACED ALONG THE TANK.
- THE NORMAL LIQUID LEVEL IN THE TANK IS SET BY THE EFFLUENT PIPING.
- ALL CONCRETE WORK IS BY OTHERS. THE DESIGN AND INSTALLATION OF THE CONCRETE SLAB OR DEADMEN IS THE RESPONSIBILITY OF THE INSTALLER.
- PRODUCT STORAGE CAPACITY IS 30% OF THE TOTAL TANK VOLUME.
- CONTROL PANEL, INSTRUMENTATION, PROBES, AND ELECTRICAL CONDUIT OR JUNCTION BOXES NOT SHOWN.
- INSTALL OIL/WATER SEPARATOR PER FURNISHED INSTRUCTIONS.
- THIRTY (30) YEAR WARRANTY PROVIDED ON EXTERIOR CORROSION PROTECTION.
- CLEAN INERT SAND, PEA GRAVEL OR CRUSHED STONE.

ITEM	QTY.	STANDARD EQUIPMENT
1	1	INFLUENT PORT W/ISOLATION SPOOL PIECE
2	1	EFFLUENT PORT W/ISOLATION SPOOL PIECE
3	1	OIL PUMPOUT PORT
4	1	LEVEL SENSOR PORT
5	1	SAMPLING/GUAGING PORT
6	2	VENT
7	1	LEAK MONITOR (DOUBLE WALL ONLY)
8	1	ACCESS MANWAY
9	A/R	SACRIFICIAL ANODE (sti-P3 ONLY)
10	A/R	LIFTING LUGS
11	A/R	COALESCING MEDIA
12	A/R	HOLDDOWN STRAPS
OPTIONAL EQUIPMENT		
14	1	INTERNAL LADDER
15	A/R	LEVEL CONTROLS - MEMA ENCLOSURE
16	A/R	LEAK DETECTION SYSTEM
17	A/R	AUTOMATIC OIL PUMPOUT SYSTEM
18	A/R	POLISHING MEDIA
19	1	OIL STOP VALVE
20	A/R	ADDITIONAL MANWAY RISER HEIGHT
CUSTOMER SUPPLIED EQUIPMENT		
21	A/R	INFLUENT & EFFLUENT PIPING
22	A/R	VENT PIPING
23	A/R	ALL OTHER EXTERNAL PIPING
24	A/R	CONCRETE BALLAST PAD OR DEADMEN
25	A/R	CONCRETE HOUSEKEEPING PAD
26	A/R	ANCHOR BOLTS



REV.	DESCRIPTION	DATE	INIT.
HYDRO QUIP, INC.			
Water Treatment Systems			
STANDARD MODEL HQB OIL/WATER SEPARATOR GENERAL ARRANGEMENT BELOW GROUND MAINTENANCE			DRN. BY: PMD
			CHKD. BY:
PROJECT:			DATE: 11/22/04
REF:	FILE: STUGOWS_BGM.DWG	SCALE: NTS	
THIS DRAWING IS PROPERTY OF HYDRO QUIP, INC. AND MUST NOT BE COPIED, LOANED OR DISTRIBUTED WITHOUT WRITTEN PERMISSION.			
			REV: A