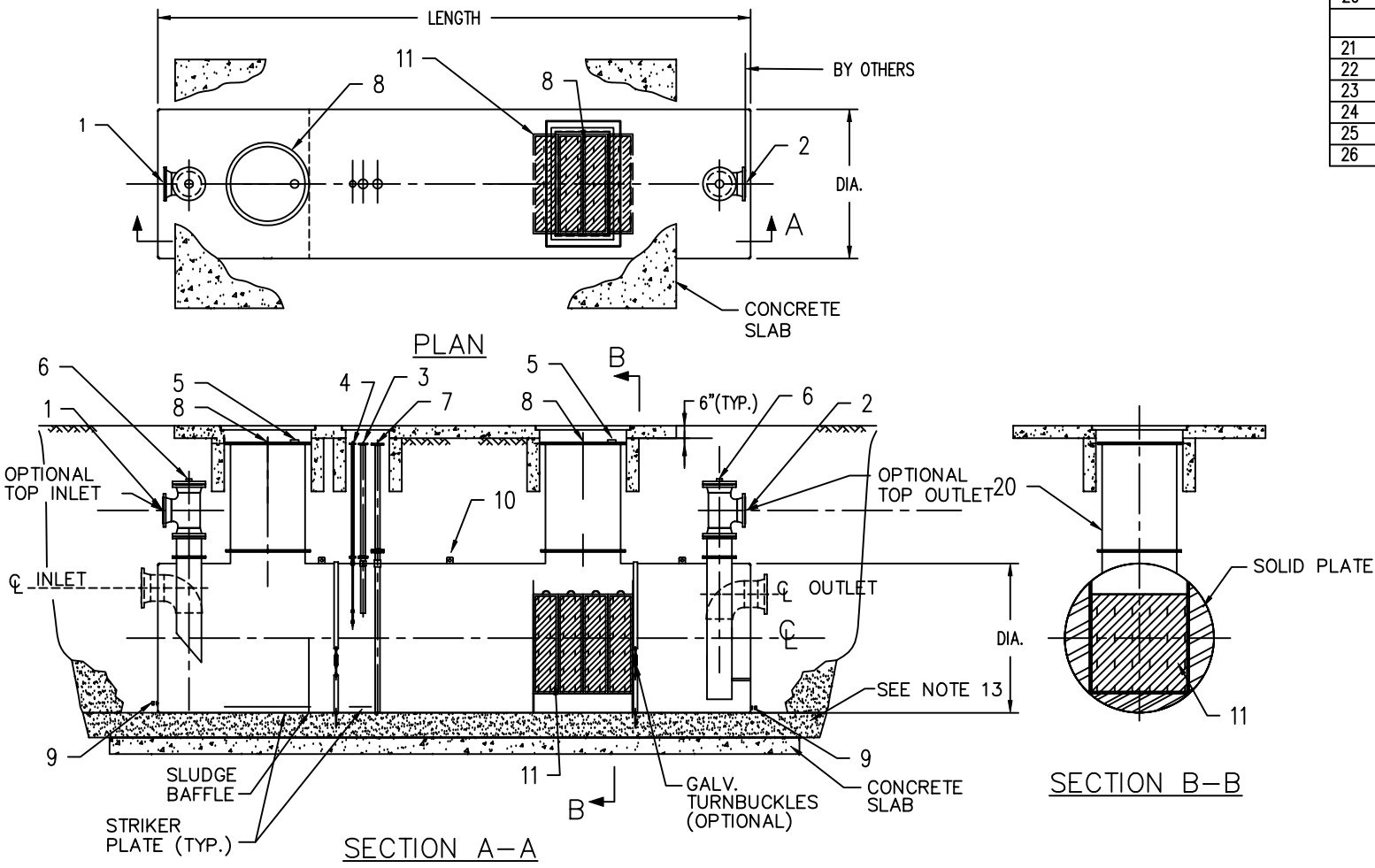


MODEL	DIA.	LENGTH	INLET	OUTLET	FLOW RATE gpm	TANK CAPACITY(GAL.)
HQB342	3'-6"	6'-0"	4"	4"	30-60	350
HQB548	4'-0"	6'-0"	4"	4"	55-110	550
HQB1048	4'-0"	10'-9"	6"	6"	100-200	1000
HQB2064	5'-4"	12'-0"	6"	6"	200-400	2000
HQB3064	5'-4"	18'-0"	8"	8"	300-600	3000
HQB4064	5'-4"	24'-0"	8"	8"	400-800	4000
HQB5072	6'-0"	23'-10"	8"	8"	500-1000	5000
HQB6072	6'-0"	28'-8"	10"	10"	600-1200	6000
HQB7096	8'-0"	18'-8"	10"	10"	700-1400	7000
HQB8096	8'-0"	21'-6"	10"	10"	800-1600	8000
HQB9096	8'-0"	24'-0"	12"	12"	900-1800	9000
HQB1096	8'-0"	26'-8"	12"	12"	1000-2000	10000
HQB1296	8'-0"	32'-0"	12"	12"	1200-2400	12000
HQB15120	10'-0"	25'-6"	14"	14"	1500-3000	15000
HQB20120	10'-0"	34'-0"	18"	18"	2000-4000	20000

**NOTES:**

- OIL/WATER SEPARATOR TANK IS SINGLE/DOUBLE WALL STEEL, TYPE 1. CONSTRUCTED IN ACCORDANCE WITH UL 58 STANDARDS.
- EXTERIOR: CORROSION PROTECTION PER STI P3, FRP, OR URETHANE.
- INTERIOR (OPTIONAL): CORROSION PROTECTION CARBOLINE 300M, OR URETHANE.
- VENT SIZING PER UL 58. ALL VENT PIPING IS BY OTHERS.
- ALL EXTERIOR PIPING IS BY OTHERS. HYDRO QUIP RECOMMENDS A MINIMUM SLOPE OF 1/16" PER FOOT FOR ALL GRAVITY PIPING.
- TANK ANCHORING CONSISTS OF ( ) HOLD DOWN STRAPS EQUALLY SPACED ALONG THE TANK.
- THE NORMAL LIQUID LEVEL IN THE TANK IS SET BY THE EFFLUENT PIPING.
- ALL CONCRETE WORK IS BY OTHERS. THE DESIGN AND INSTALLATION OF THE CONCRETE SLAB OR DEADMEN IS THE RESPONSIBILITY OF THE INSTALLER.
- PRODUCT STORAGE CAPACITY IS 30% OF THE TOTAL TANK VOLUME.
- CONTROL PANEL, INSTRUMENTATION, PROBES, AND ELECTRICAL CONDUIT OR JUNCTION BOXES NOT SHOWN.
- INSTALL OIL/WATER SEPARATOR PER FURNISHED INSTRUCTIONS.
- THIRTY (30) YEAR WARRANTY PROVIDED ON EXTERIOR CORROSION PROTECTION.
- CLEAN INERT SAND, PEA GRAVEL OR CRUSHED STONE.

ITEM	QTY.	STANDARD EQUIPMENT
1	1	INFLUENT PORT W/ISOLATION SPOOL PIECE
2	1	EFFLUENT PORT W/ISOLATION SPOOL PIECE
3	1	OIL PUMPOUT PORT
4	1	LEVEL SENSOR PORT
5	1	SAMPLING/GUAGING PORT
6	2	VENT
7	1	LEAK MONITOR (DOUBLE WALL ONLY)
8	1	ACCESS MANWAY
9	A/R	SACRIFICIAL ANODE (sti-P3 ONLY)
10	A/R	LIFTING LUGS
11	A/R	OIL COALESCING MEDIA
12	A/R	HOLDDOWN STRAPS
OPTIONAL EQUIPMENT		
14	1	INTERNAL LADDER
15	A/R	LEVEL CONTROLS - MEMA ENCLOSURE
16	A/R	LEAK DETECTION SYSTEM
17	A/R	AUTOMATIC OIL PUMPOUT SYSTEM
18	A/R	NOT USED
19	1	OIL STOP VALVE
20	A/R	ADDITIONAL MANWAY RISER HEIGHT
CUSTOMER SUPPLIED EQUIPMENT		
21	A/R	INFLUENT & EFFLUENT PIPING
22	A/R	VENT PIPING
23	A/R	ALL OTHER EXTERNAL PIPING
24	A/R	CONCRETE BALLAST PAD OR DEADMEN
25	A/R	CONCRETE HOUSEKEEPING PAD
26	A/R	ANCHOR BOLTS



REV.	DESCRIPTION	DATE	INIT.
<b>HYDRO QUIP. INC.</b> Water Treatment Systems			
STANDARD MODEL HQB OIL/WATER SEPARATOR GENERAL ARRANGEMENT BELOW GROUND MAINTENANCE			DRN. BY: PMD CHKD. BY:
PROJECT:		DATE: 11/22/04	
REF:	FILE: STUGOWS_BGM.DWG	SCALE: NTS	
<small>THIS DRAWING IS PROPERTY OF HYDRO QUIP INC. AND MUST NOT BE COPIED, LOANED OR DISTRIBUTED WITHOUT WRITTEN PERMISSION.</small>			
			REV: A